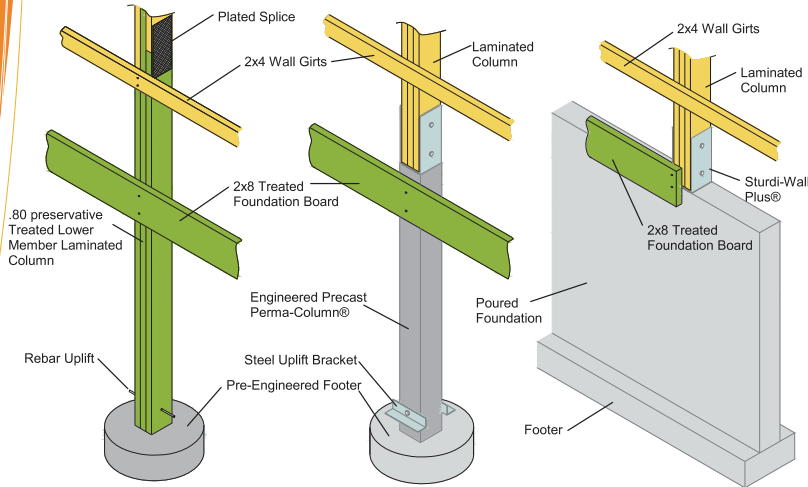


Post-frame solutions for your specific needs

FOUNDATION OPTIONS

- A. .80 preservative treated lumber is used for the lower portion of our laminated column. The 16 gauge metal connection plate provides superior strength at the most vulnerable portion of the column.
- B. **Perma-Columns®** are precast concrete columns that are an alternative to preservative treated wood thus ensuring the structural integrity of your building's foundation, a simple and efficient construction method that allows an affordable concrete foundation with no mess or concrete cure time.
- C. When pouring a footer and foundation wall, we use **Sturdi-Wall Plus®** brackets. These are a heavy duty engineered anchoring system that attaches the wood column to concrete foundations and are used in a wet set concrete application to provide the highest strength bracket to foundation connection when concrete is fully cured.
- D. When building off a slab or an existing foundation, **Sturdi-Wall®** brackets work best. These are heavy duty engineered brackets that are drill-set after concrete has cured. The main advantage of drill setting is the reduction of wet set concrete placement errors.



A. .80 Preservative Treated Laminated column

B. Perma-column®

C. Footer & Foundation wall

Fig. 1
2x4 Purlins are lapped and nailed for greater continuity strength

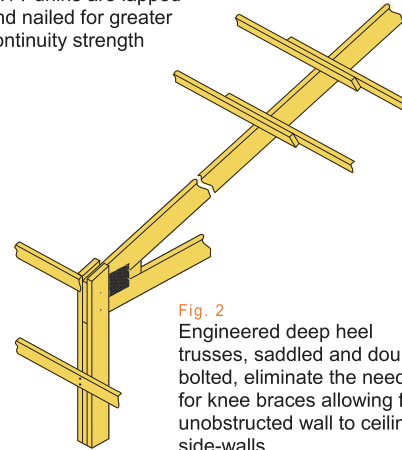
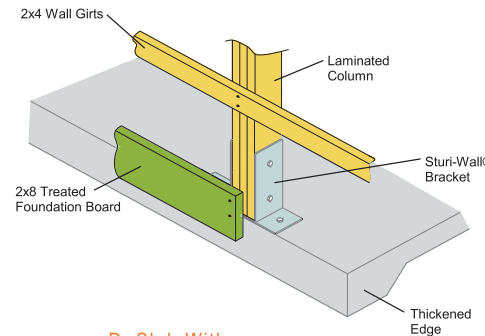


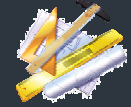
Fig. 2
Engineered deep heel trusses, saddled and double bolted, eliminate the need for knee braces allowing for unobstructed wall to ceiling side-walls.



Fig. 3
We use 29ga. Grade E steel, ribbed 9" on center, with the industry leading Kynar500 40 year paint system. All steel is fastened with stainless-steel Buildex® Screws for maximum holding power.



D. Slab With thickened edge



CUSTOM DESIGN

At EB Buildings & Lumber Co. we put your needs and ideas together to create an end product that suits your specific need. No "Standard Building packages" here, each building is custom designed just for YOU!



ESTIMATING

Rely on the experts at EB Buildings & Lumber Co. to give you a competitive quote on your building as well as any other building project you have in mind including: Doors, Windows, Siding, Insulation, Roofing & Decking



SALES

EB Buildings & Lumber Co. is not just a post frame builder. We are a full-line retail lumber yard, so no matter what your building project may be, come see us for all your building material needs. Take advantage of our delivery service too!